

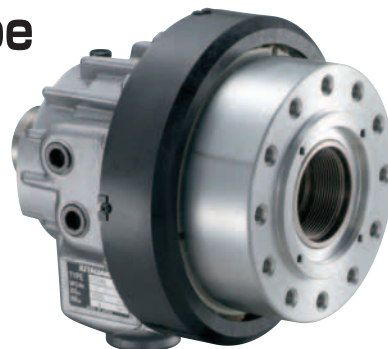


**ROTARY
CYLINDER**

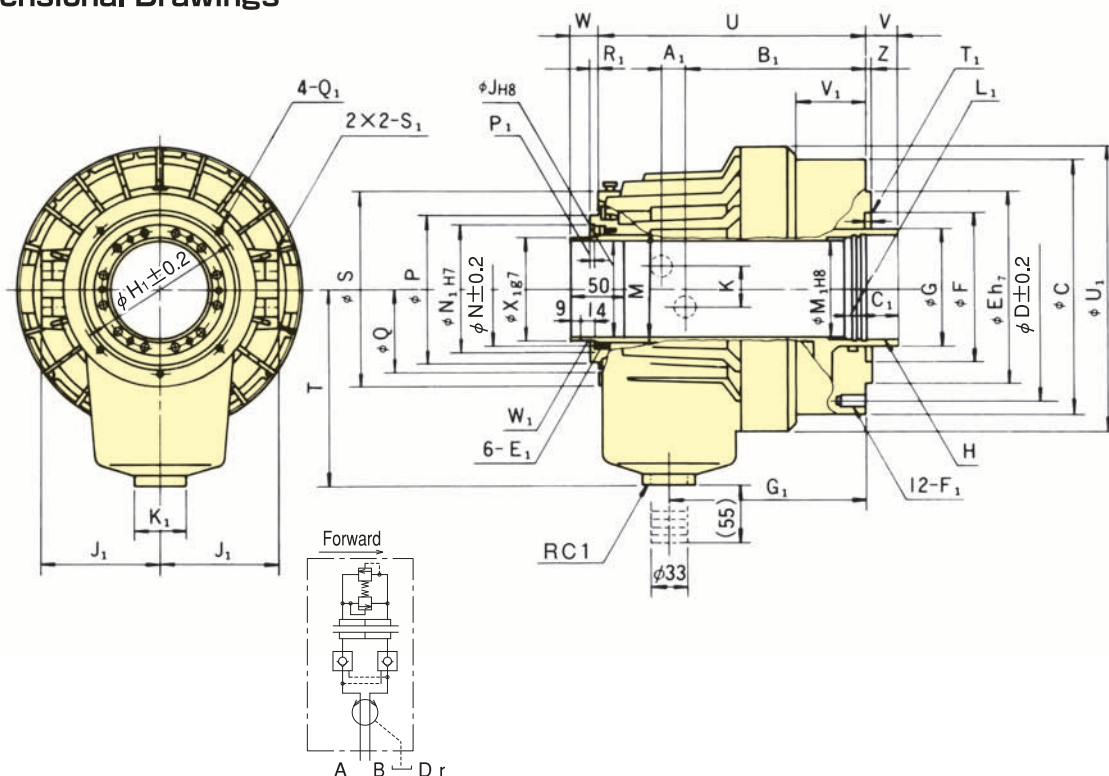
Large Thru-Hole High Speed Hydraulic Cylinder with Open Centre S series

KITAGAWA standard thru-hole type

- Compact and light weight
- Built-in check valve and relief valve
- * CE correspondence (Only series with checking device)



Dimensional Drawings



Dimensions

Model	C	D	E	F	G	H	J Thru-hole	K	M	N	P	Q	S	T	U	V max.	V min.	W max.	W min.	Z	A ₁
S1246	155	130	100	80	65	M 55×2.0	46	36	52.9	64	85	51.5	118	115	179	15	0	40	25	5	11.5
S1552	190	170	130	85	70	M 60×2.0	52	36	59.6	73	96	57.5	137	130	191	22	0	47	25	5	12
S1875	215	190	160	120	95	M 85×2.0	75	36	84.6	98	121	70.5	166	160	225	25	0	50	25	5	17.5
S2091	240	215	180	140	110	M100×2.0	91	34	99.6	108	138	79	182	185	248	30	0	55	25	5	21

Model	B ₁	C ₁	E ₁ depth	F ₁ depth	G ₁	H ₁	J ₁	K ₁	L ₁	M ₁	N ₁	P ₁	Q ₁ depth	R ₁	S ₁	T ₁	U ₁	V ₁	W ₁	X ₁
S1246	126.5	30	M6×9	M10×20	135	98	76	47	15	50	76	4	M5×10	6	RC1/2	6	200	46	M52×1.5	50
S1552	136	30	M6×9	M10×20	145	110	86	47	15	55	85	4	M6×12	7	RC1/2	6	220	51	M58×1.5	56
S1875	153.5	35	M6×9	M10×20	166.5	155	101	47	15	80	108	4	M6×12	7	RC1/2	6	242	58	M84×2.0	81
S2091	168	35	M6×14	M12×24	183	165	110	47	15	95	120	4	M6×12	7	RC1/2	6	267	66	M99×2.0	96

Specifications

*Total leakage : Pressure 3.00MPa (30.6kgf/cm²) and oil temperature 50°C. *Draw bar pull force : Pressure 4.00MPa (40.8kgf/cm²)

Model	Piston Dia. mm	Piston stroke mm	Piston Area		Draw bar		Max. Operation Pressure MPa (kgf/cm ²)	Max. Speed min ⁻¹	Moment of inertia kg·m ²	Net Weight kg	Total leakage ℓ /min
			Push Side cm ²	Pull Side cm ²	Push Side kN(kgf)	Pull Side kN(kgf)					
S1246	125	15	100	89	38.0 (3875)	33.0 (3365)	4.00 (40.8)	7000	0.019	12.0	3.0
S1552	155	22	161	150	60.0 (6118)	56.0 (5710)	4.00 (40.8)	6200	0.053	16.8	3.9
S1875	180	25	198	183	74.0 (7546)	69.0 (7036)	4.00 (40.8)	4700	0.095	26.0	4.2
S2091	205	30	252	234	94.0 (9585)	88.0 (8973)	4.00 (40.8)	3800	0.153	33.0	4.5